



**BUILDING CODE COMPLIANCE OFFICE (BCCO)
PRODUCT CONTROL DIVISION**

**MIAMI-DADE COUNTY, FLORIDA
METRO-DADE FLAGLER BUILDING
140 WEST FLAGLER STREET, SUITE 1603
MIAMI, FLORIDA 33130-1563
(305) 375-2901 FAX (305) 375-2908**

NOTICE OF ACCEPTANCE (NOA)

**Polyfoam Products, Inc.
11715 Bordeaux Road
Tomball, TX 77375**

SCOPE:

This NOA is being issued under the applicable rules and regulations governing the use of construction materials. The documentation submitted has been reviewed by the BCCO and accepted by the Building Code and Product Review Committee to be used in Miami Dade County and other areas where allowed by the Authority Having Jurisdiction (AHJ).

This NOA shall not be valid after the expiration date stated below. The BCCO (In Miami Dade County) and/or the AHJ (in areas other than Miami Dade County) reserve the right to have this product or material tested for quality assurance purposes. If this product or material fails to perform in the accepted manner, the manufacturer will incur the expense of such testing and the AHJ may immediately revoke, modify, or suspend the use of such product or material within their jurisdiction. BCCO reserves the right to revoke this acceptance, if it is determined by BCCO that this product or material fails to meet the requirements of the applicable building code.

This product is approved as described herein, and has been designed to comply with the High Velocity Hurricane Zone of the Florida Building Code.

DESCRIPTION: Polyset® One Roof Tile Adhesive

RENEWAL of this NOA shall be considered after a renewal application has been filed and there has been no change in the applicable building code negatively affecting the performance of this product.

TERMINATION of this NOA will occur after the expiration date or if there has been a revision or change in the materials, use, and/or manufacture of the product or process. Misuse of this NOA as an endorsement of any product, for sales, advertising or any other purposes shall automatically terminate this NOA. Failure to comply with any section of this NOA shall be cause for termination and removal of NOA.

ADVERTISEMENT: The NOA number preceded by the words Miami-Dade County, Florida, and followed by the expiration date may be displayed in advertising literature. If any portion of the NOA is displayed, then it shall be done in its entirety.

INSPECTION: A copy of this entire NOA shall be provided to the user by the manufacturer or its distributors and shall be available for inspection at the job site at the request of the Building Official.

This NOA renews NOA No.04-1116.01 and consists of pages 1 through 5.
The submitted documentation was reviewed by Alex Tigera.



**NOA No.: 09-0622.04
Expiration Date: 01/03/11
Approval Date: 07/22/09
Page 1 of 5**

ROOFING ASSEMBLY APPROVAL:

Category: Roofing
Sub Category: 07320 Roof tile adhesive
Materials: Polyurethane

SCOPE:

This approves **Polyset® One** as described below in this Notice of Acceptance, designed to comply with the Florida Building Code. For the locations where the pressure requirements, as determined by applicable building code, do not exceed the design pressure values; as obtained by calculations in compliance with RAS 127, using **Polyset® One**, and where the attachment calculations shall be done as an moment based system.

PRODUCTS MANUFACTURED BY APPLICANT:

<u>Product</u>	<u>Dimensions</u>	<u>Product Description</u>
Polyset® One	Factory premixed canisters	Single component polyurethane foam roof tile adhesive.

PRODUCTS MANUFACTURED BY OTHERS:

Any Miami-Dade County Product Control Accepted Roof Tile Assembly having a current NOA which list moment resistance values with the use of **Polyset® One** roof tile adhesive.

PHYSICAL PROPERTIES:

<u>Property</u>	<u>Test</u>	<u>Results</u>
Density	ASTM D 1622	1.95 lbs./ft. ³
Compressive Strength	ASTM D 1621	7.8 psi
Tensile Strength	ASTM D 1623	19.95 PSI Parallel to rise
Water Absorption	ASTM D 2842	4.22 Lbs./Ft ²
Moisture Vapor Transmission	ASTM E 96	3.5 Perm / Inch
Dimensional Stability	ASTM D 2126	+0.89% Volume Change @ 70° C., 2 Weeks
Closed Cell Content	ASTM D 2856	72.14%

EVIDENCE SUBMITTED:

<u>Test Agency</u>	<u>Test Identifier</u>	<u>Test Name/Report</u>	<u>Date</u>
Celotex Corporation Testing Services	#258468	ASTM D1623-78	04/09/98
	#258468-I	ASTM E84-97a	04/21/98
	#258468	ASTM D1622-93	04/27/98
	#258468	ASTM D2126	04/27/98
	#258468-G	ASTM D2856-94	05/11/98
	#258468	ASTM D1621-94	04/29/98
	#258468	ASTM D2842-94	05/05/98
	#258468	ASTM E96-95	04/30/98
	#258608	TAS 101	08/19/98
	N/A	Evaluation of Test on a Two-pad System	10/21/98
Southwest Research Institute PRI Asphalt Technologies, Inc.	#520207-3	TAS 101	03/18/99
	01-1208-025	ASTM E 108	06/16/98
	FOP-01-02-01	TAS 108	02/04/99



NOA No.: 09-0622.04
Expiration Date: 01/03/11
Approval Date: 07/22/09
Page 2 of 5

LIMITATIONS:

1. Fire classification is not part of this acceptance.
2. **Polyset® One** can be used with flat, low, medium and high tile profiles.
3. Minimum underlayment shall be in compliance with the Roofing Application Standard RAS 120.
4. Roof Tile manufactures acquiring acceptance for the use of **Polyset® One** roof tile adhesive with their tile assemblies shall test in accordance with TAS 101 with section 10.4 as modified herein.

$$F' = \frac{\left(\frac{F}{2}\right) - W}{MS}$$

INSTALLATION:

1. **Polyset® One** may be used with any roof tile assembly having a current NOA that lists moment resistance values with the use of **Polyset® One**
2. **Polyset® One** shall be applied in compliance with the Component Application section and the corresponding Placement Details noted herein. The roof tile assembly’s adhesive attachment with the use of **Polyset® One** shall provide sufficient attachment resistance, expressed as a moment based system, to meet or exceed the moment resistance determined in compliance with Roofing Application Standards RAS 127. The adhesive attachment data is noted in the roof tile assembly NOA
3. **Polyset® One** roof tile adhesive and its components shall be installed in accordance with Roofing Application Standard RAS 120, and Fomo Products, Inc. **Polyset® One** Operating Instruction and Maintenance Booklet
4. Installation must be by a Factory Trained 'Qualified Applicator' approved and licensed by Polyfoam Products, Inc.
5. Pressure treated wood filler block shall be required on all eave course of all tile profiles except on two pieces barrel tile.
6. Tiles must be adhered in freshly applied adhesive. Tile must be set within 4 minutes after **Polyset® One** has been dispensed.
7. **Polyset® One** placement shall be in accordance with the 'Placement Details' herein. Each generic tile profile requires the specific placement noted herein.

Table 1: Adhesive Placement For Each Generic Tile Profile		
Tile Profile	Typical Placement Detail	Weight per paddy (grams)
Flat, Low & High Profile	# 1	6.5
High Profile 2-Piece Barrel	# 2	8.7

LABELING:

All **Polyset® One** containers shall comply with the Standard Conditions listed herein.

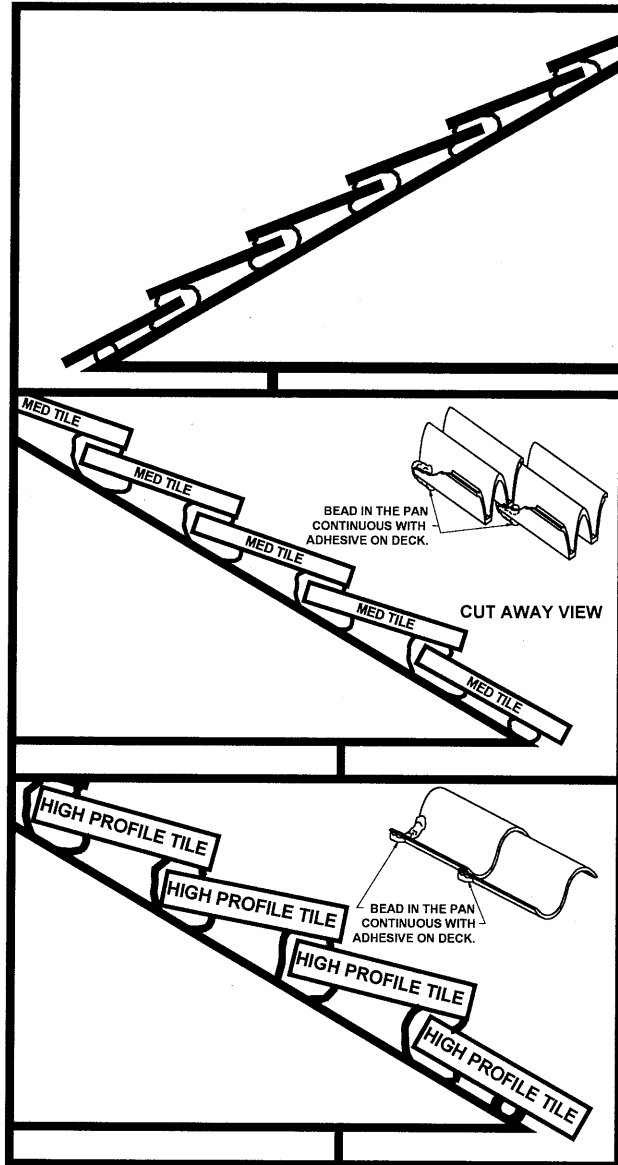
BUILDING PERMIT REQUIREMENTS:

As required by the Building Official or applicable building code in order to properly evaluate the installation of this system.



NOA No.: 09-0622.04
 Expiration Date: 01/03/11
 Approval Date: 07/22/09
 Page 3 of 5

ADHESIVE PLACEMENT DETAILS

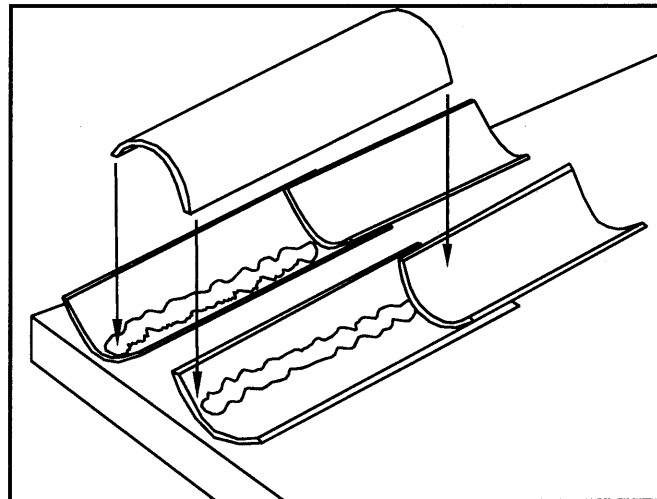
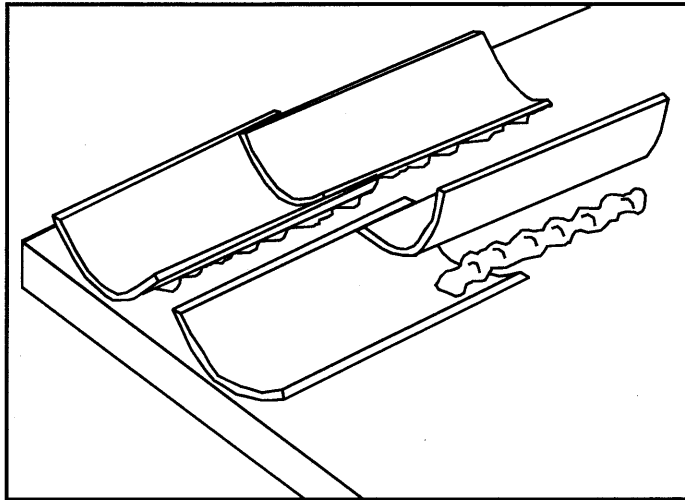


PLACEMENT DETAIL # 1



**ADHESIVE PLACEMENT DETAILS
(CONTINUED)**

PLACEMENT DETAIL # 2



END OF THIS ACCEPTANCE

