



**BUILDING CODE COMPLIANCE OFFICE (BCCO)
PRODUCT CONTROL DIVISION**

**MIAMI-DADE COUNTY, FLORIDA
METRO-DADE FLAGLER BUILDING
140 WEST FLAGLER STREET, SUITE 1603
MIAMI, FLORIDA 33130-1563
(305) 375-2901 FAX (305) 375-2908**

NOTICE OF ACCEPTANCE (NOA)

**Polyfoam Products, Inc.
11715 Boudreaux Road
Tomball, TX 77375**

SCOPE:

This NOA is being issued under the applicable rules and regulations governing the use of construction materials. The documentation submitted has been reviewed by the BCCO and accepted by the Building Code and Product Review Committee to be used in Miami Dade County and other areas where allowed by the Authority Having Jurisdiction (AHJ).

This NOA shall not be valid after the expiration date stated below. The BCCO (In Miami Dade County) and/or the AHJ (in areas other than Miami Dade County) reserve the right to have this product or material tested for quality assurance purposes. If this product or material fails to perform in the accepted manner, the manufacturer will incur the expense of such testing and the AHJ may immediately revoke, modify, or suspend the use of such product or material within their jurisdiction. BCCO reserves the right to revoke this acceptance, if it is determined by BCCO that this product or material fails to meet the requirements of the applicable building code.

This product is approved as described herein, and has been designed to comply with the High Velocity Hurricane Zone of the Florida Building Code.

DESCRIPTION: Polypro® AH160

RENEWAL of this NOA shall be considered after a renewal application has been filed and there has been no change in the applicable building code negatively affecting the performance of this product.

TERMINATION of this NOA will occur after the expiration date or if there has been a revision or change in the materials, use, and/or manufacture of the product or process. Misuse of this NOA as an endorsement of any product, for sales, advertising or any other purposes shall automatically terminate this NOA. Failure to comply with any section of this NOA shall be cause for termination and removal of NOA.

ADVERTISEMENT: The NOA number preceded by the words Miami-Dade County, Florida, and followed by the expiration date may be displayed in advertising literature. If any portion of the NOA is displayed, then it shall be done in its entirety.

INSPECTION: A copy of this entire NOA shall be provided to the user by the manufacturer or its distributors and shall be available for inspection at the job site at the request of the Building Official.

This NOA renews NOA No.01-0521.02 and consists of pages 1 through 7
The submitted documentation was reviewed by Jorge L. Acebo.



**NOA No.: 06-0201.02
Expiration Date: 05/10/11
Approval Date: 04/13/06
Page 1 of 7**

ROOFING ASSEMBLY APPROVAL:

Category: Roofing
Sub Category: Roof tile adhesive
Materials: Polyurethane

SCOPE:

This approves **Polypro® AH160** as manufactured by **Polyfoam Products, Inc.** as described in Section 2 of this Notice of Acceptance. For the locations where the design pressure requirements, as determined by applicable building code, does not exceed the design pressure values obtained by calculations in compliance with Roofing Application Standard RAS 127, for use with approved flat, low, and high profile roof tiles system using Polypro® AH 160. Where the attachment calculations are done as a moment based system for single patty placement, and as an uplift based system for double patty systems

PRODUCTS MANUFACTURED BY APPLICANT:

<u>Product</u>	<u>Dimensions</u>	<u>Test Specifications</u>	<u>Product Description</u>
Polypro® AH160	N/A	TAS 101	Two component polyurethane foam adhesive
Foampro® RTF1000	N/A		Dispensing Equipment
ProPack® 30 & 100	N/A		Dispensing Equipment

PRODUCTS MANUFACTURED BY OTHERS:

Any Miami-Dade County Product Control Accepted Roof Tile Assembly having a current NOA which list moment resistance values with the use of Polypro AH160 roof tile adhesive.

PHYSICAL PROPERTIES:

<u>Property</u>	<u>Test</u>	<u>Results</u>
Density	ASTM D 1622	1.6 lbs./ft. ³
Compressive Strength	ASTM D 1621	18 PSI Parallel to rise 12 PSI Perpendicular to rise
Tensile Strength	ASTM D 1623	28 PSI Parallel to rise
Water Absorption	ASTM D 2127	0.08 Lbs./Ft ²
Moisture Vapor Transmission	ASTM E 96	3.1 Perm / Inch
Dimensional Stability	ASTM D 2126	+0.07% Volume Change @ -40° F., 2 weeks +6.0% Volume Change @158°F., 100% Humidity, 2 weeks
Closed Cell Content	ASTM D 2856	86%

Note: The physical properties listed above are presented as typical average values as determined by accepted ASTM test methods and are subject to normal manufacturing variation.



NOA No.: 06-0201.02
Expiration Date: 05/10/11
Approval Date: 04/13/06
Page 2 of 7

EVIDENCE SUBMITTED:

<u>Test Agency</u>	<u>Test Identifier</u>	<u>Test Name/Report</u>	<u>Date</u>
Center for Applied Engineering	#94-060	TAS 101	04/08/94
	257818-1PA	TAS 101	12/16/96
	25-7438-3	SSTD 11-93	10/25/95
	25-7438-4		
	25-7438-7	SSTD 11-93	11/02/95
	25-7492	SSTD 11-93	12/12/95
	NB-589-631	ASTM D 1623	02/01/94
Miles Laboratories Polymers Division			
Ramtech Laboratories, Inc.	9637-92	ASTM E 108	04/30/93
Southwest Research Institute	01-6743-011	ASTM E 108	11/16/94
	01-6739-062b[1]	ASTM E 84	01/16/95
Trinity Engineering	7050.02.96-1	TAS 114	03/14/96
Celotex Corp. Testing Services	528454-2-1	TAS 101	10/23/98
	528454-9-1		
	528454-10-1		
	520109-1	TAS 101	12/28/98
	520109-2		
	520109-3		
	520109-6		
	520109-7		
	520191-1	TAS 101	03/02/99
	520109-2-1		

LIMITATIONS:

1. Fire classification is not part of this acceptance. Refer to the Prepared Roof Tile Assembly for fire rating.
2. Polypro® AH160 shall solely be used with flat, low, & high tile profiles.
3. Minimum underlayment shall be in compliance with the Roofing Application Standard RAS 120.
4. Roof Tile manufactures acquiring acceptance for the use of Polypro® AH160 roof tile adhesive with their tile assemblies shall test in accordance with TAS 101.
5. Roof Tile manufactures acquiring acceptance for the use of HANDI-STICK roof tile adhesive with their tile assemblies shall test in accordance with TAS 101 with section 10.4 as modified herein.

$$F' = \frac{\left(\frac{F}{2} \right) W}{MS}$$



INSTALLATION:

1. Polypro® AH160 may be used with any roof tile assembly having a current NOA that lists uplift resistance values with the use of Polypro® AH160.
2. Polypro® AH160 shall be applied in compliance with the Component Application section and the corresponding Placement Details noted herein. The roof tile assembly's adhesive attachment with the use of Polypro® AH160 shall provide sufficient attachment resistance, expressed as an uplift based system, to meet or exceed the uplift resistance determined in compliance with Miami-Dade County Roofing Application Standards RAS 127. The adhesive attachment data is noted in the roof tile assembly NOA
3. Polypro® AH160 roof tile adhesive and its components shall be installed in accordance with Roofing Application Standard RAS 120, and Polyfoam Products, Inc. Polypro® AH160 Operating Instruction and Maintenance Booklet.
4. Installation must be by a Factory Trained 'Qualified Applicator' approved and licensed by Polyfoam Products, Inc. Polyfoam Products Inc. shall supply a list of approved applicators to the authority having jurisdiction.
5. Calibration of the Foampro® dispensing equipment is required before application of any adhesive. The mix ratio between the "A" component and the "B" component shall be maintained between 1.0-1.15 (A): 1.0 (B). The dispense timer shall be set to deliver 0.0175 to 0.15 pounds per tile as determined at calibration. No other settings shall be approved.
6. Polypro® AH160 shall be applied with Foampro RTF1000 or ProPack® 30 & 100 dispensing equipment only.
7. Polypro® AH160 shall not be exposed permanently to sunlight.
8. Tiles must be adhered in freshly applied adhesive. Tile must be set within 2 to 3 minutes after Polypro® AH160 has been dispensed.
9. Polypro® AH160 placement and minimum patty weight shall be in accordance with the 'Placement Details' herein. Each generic tile profile requires the specific placement noted herein.

Table 1: Adhesive Placement For Each Generic Tile Profile			
Tile Profile	Placement Detail	Single Paddy Weight Min. (grams)	Two Paddy Weight per paddy Min. (grams)
Flat, Low, High Profiles	#1	35	N/A
High Profile (2 Piece Barrel)	#1	17/side on cap and 34/pan	N/A
Flat, Low, High Profiles	#2	24	N/A
Flat, Low, High Profiles	#3		8

LABELING:

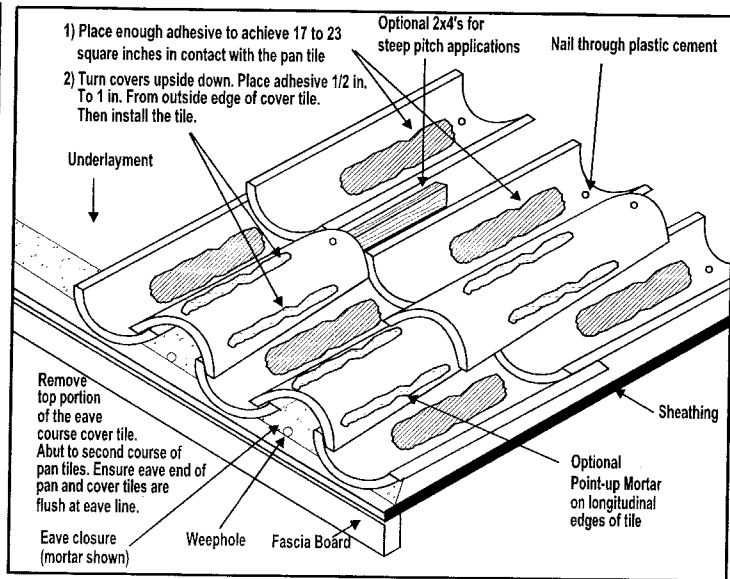
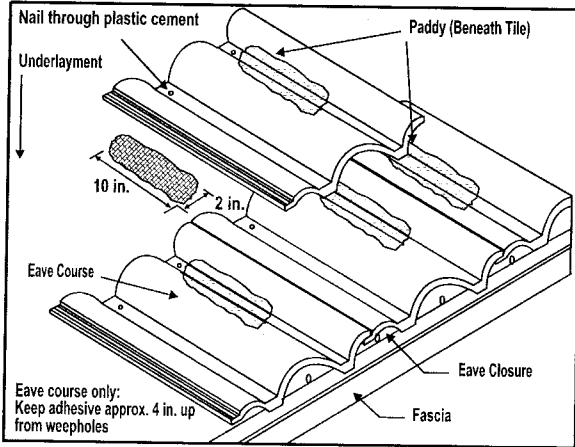
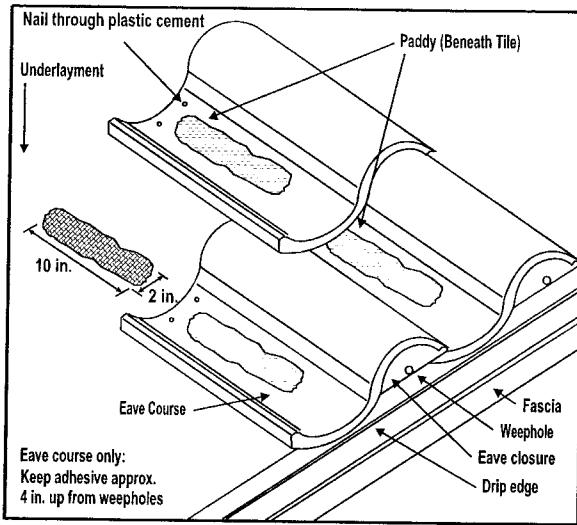
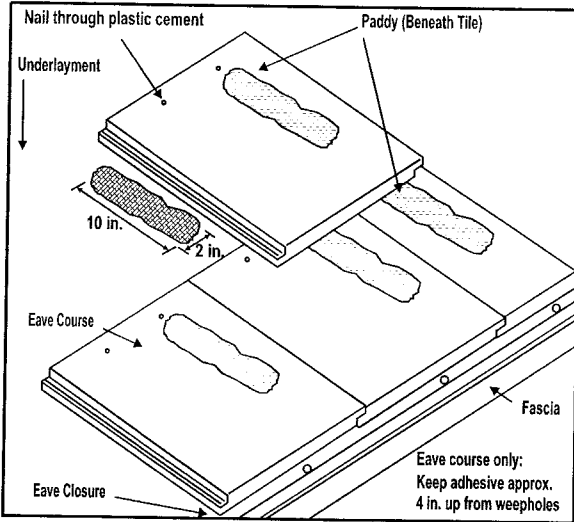
All Polypro® AH160 containers shall comply with the Standard Conditions listed herein.

BUILDING PERMIT REQUIREMENTS:

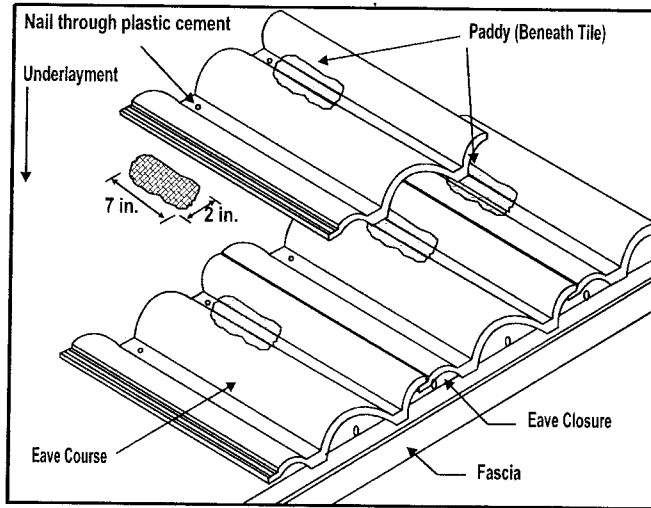
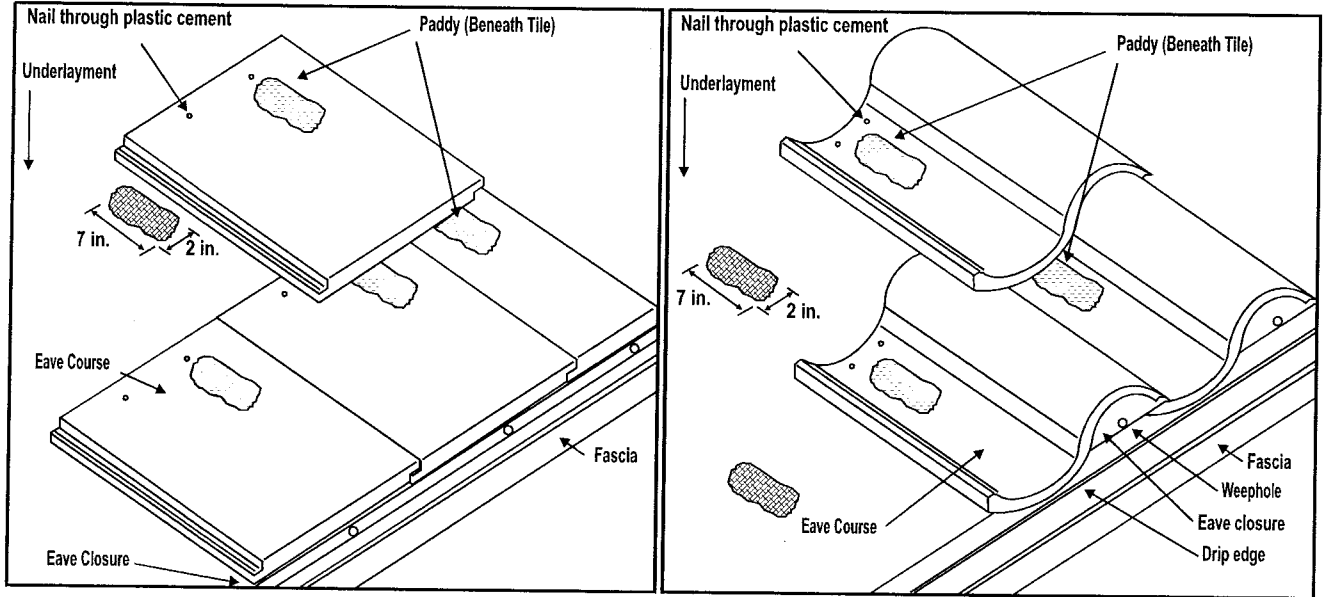
As required by the Building Official or applicable building code in order to properly evaluate the installation of this system.



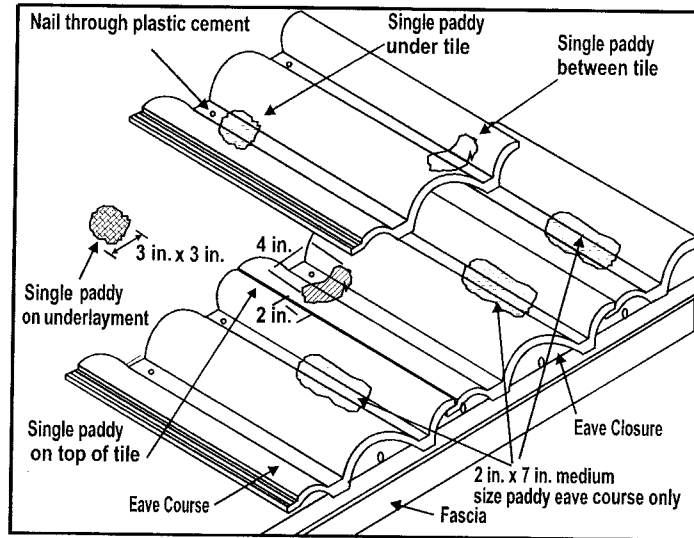
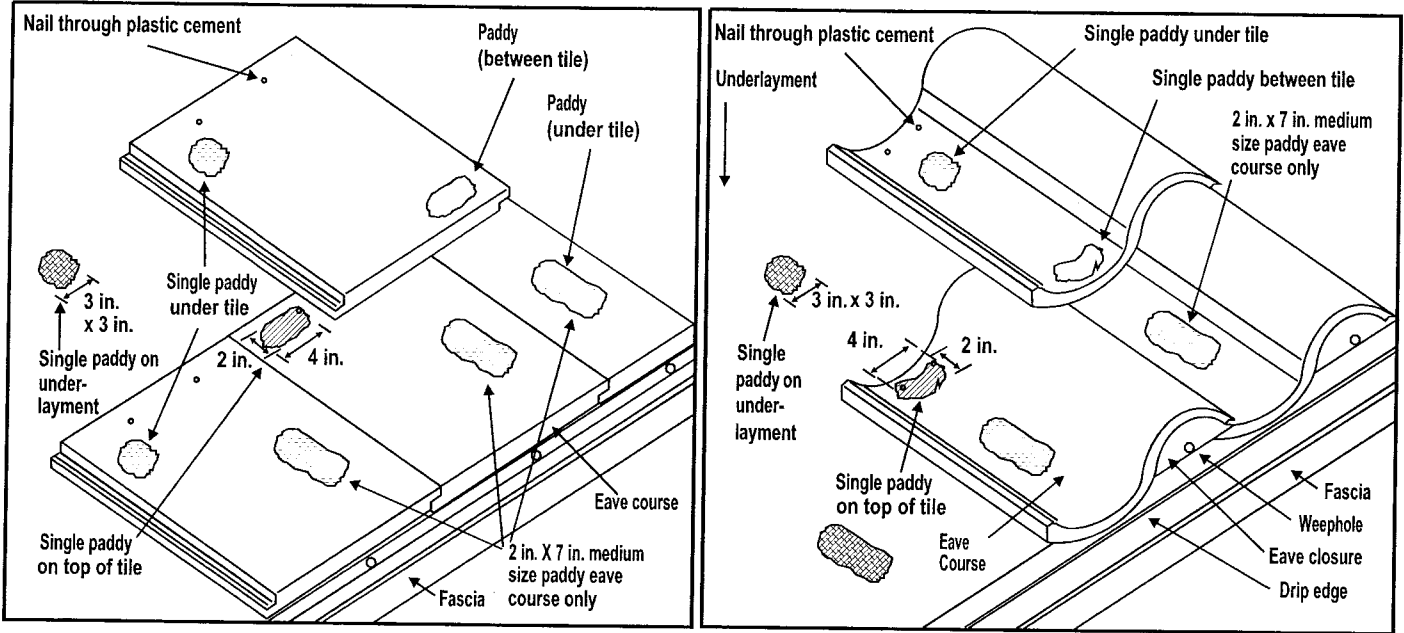
ADHESIVE PLACEMENT DETAIL 1 SINGLE PATTY



ADHESIVE PLACEMENT DETAIL 2 SINGLE PATTY



ADHESIVE PLACEMENT DETAIL 3 DOUBLE PATTY



END OF THIS ACCEPTANCE



NOA No.: 06-0201.02
 Expiration Date: 05/10/11
 Approval Date: 04/13/06
 Page 7 of 7